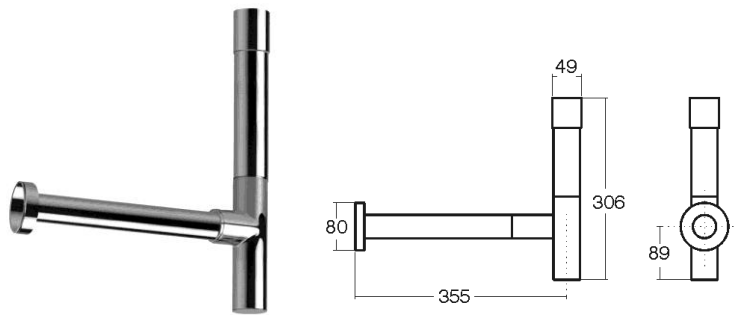


## SIPHON REF. 310



### INSTALLATION

Verify if the hole of basin is aligned with water outlet in the wall. If not, we suggest to use a flexible siphon.

- Close water supply
- If water outlets are aligned, pick the siphon and screw partially on the basin outlet.
- Measure the distance of the water outlet in the wall to the siphon and consider more 1 or 2cm.
- Measure the tube of the siphon and cut to measure (as previously checked)
- Insert the tube into the water outlet
- Use sealing on the screw with basin and tight the siphon
- Open water supply and let water flow a few seconds to test leakage

